



Urba 30, 35 and 40 litre bins can be produced in 75% post-consumer recycled plastic certified "Plastica Seconda Vita" (Second-Life plastic) from the Italian Institute for the Promotion of Recycled Plastics. This option supports the objectives for Green Procurement with the re-use of recycled plastic materials, to help minimise the impact on the environment in manufacture.



Sartori Ambiente is certified according to ISO 9001 and ISO 14001.



Items are packed using PEFC certified pallets.

Printed by - June 2010

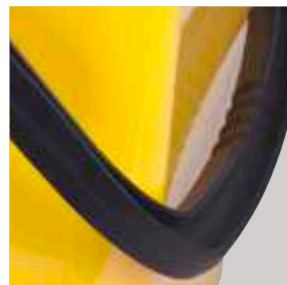


URBA 30 · URBA 35 · URBA 40

Easy, practical and safe solutions for source segregated waste collection

URBA 30/35/40

Urba 30, 35 and 40 containers are ergonomically designed with a tapered shaped body and rectangular base to minimise the footprint. They can be used in all types of properties, either inside or outside the home or office.



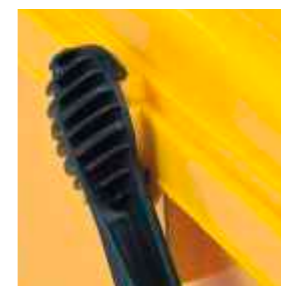
Robust handle with secure grip for working with gloves



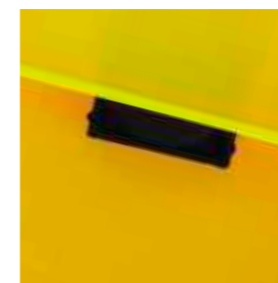
Vertical handle with two lid opening and locking positions



Rectangular base with optimum capacity for newsprint



Pivot and handle with automatic locking mechanism



Microchip nest



Lid or body with IML (injection moulded label - option)

TECHNICAL FEATURES

Capacity

- . 30, 35 and 40 litres

Material

- . 100% virgin recyclable PP, with options for recycled content.
- . Stabilised against the effects of UV light and the weather; resistant to chemical detergents and biological matter.

Lid

- . Wide front lip for finger-tip lid opening
- . Close fitting hinged lid
- . Clip-on lid for quick easy assembly or lid replacement
- . Sloping lid to allow water run-off
- . Against a wall, lid may be fully opened without needing any extra space

Body

- . Upright style with tapered body
- . Sturdy lowered hinges for fitting a sack liner
- . Radius corners to suspend the bag
- . Wide flat area for body printing on front
- . Stackable or wall mountable
- . Smooth internal surface for easy cleaning
- . Recessed hand grip on the base makes emptying easier when the bin is inverted
- . Microchip nest
- . Practical rectangular base e.g. for folded broadsheet or tabloid newspapers

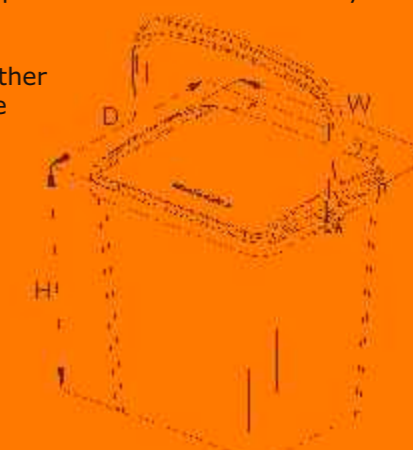
Handle

- . Vertical single piece black plastic handle with two pivot points
- . Secure grip for working with gloves
- . Allows the lid to be propped open
- . Lid locking mechanism to prevent spillage and interference from birds and animals
- . Handle gives two lid opening positions, two lid locking positions
- . Fast unlocking by moving the handle 70° from the locking position

Options

- . 30, 50 and 70% post-industrial recycled PP content
- . Certified 75% post-consumer recycled PP content
- . Thermal transfer printing in white on body front or side, with option for bar coding
- . Lid imprinting
- . Lid or body IML printing up to 4 colours to A4 size
- . Microchip insertion
- . High visibility clip-on reflectors or chevron style vinyl labels
- . Translucent lids
- . Wide range of other colours available on request

| | Width W (mm) | Depth D (mm) | Height H (mm) | Volume (L) | Standard colours |
|---------|--------------|--------------|---------------|------------|------------------|
| Urba 30 | 420* | 365 | 345 | ca. 30 | |
| Urba 35 | 420* | 365 | 400 | ca. 35 | |
| Urba 40 | 420* | 365 | 445 | ca. 40 | |



* with handle | The manufacturer reserves the right to apply technical and aesthetical changes without notice